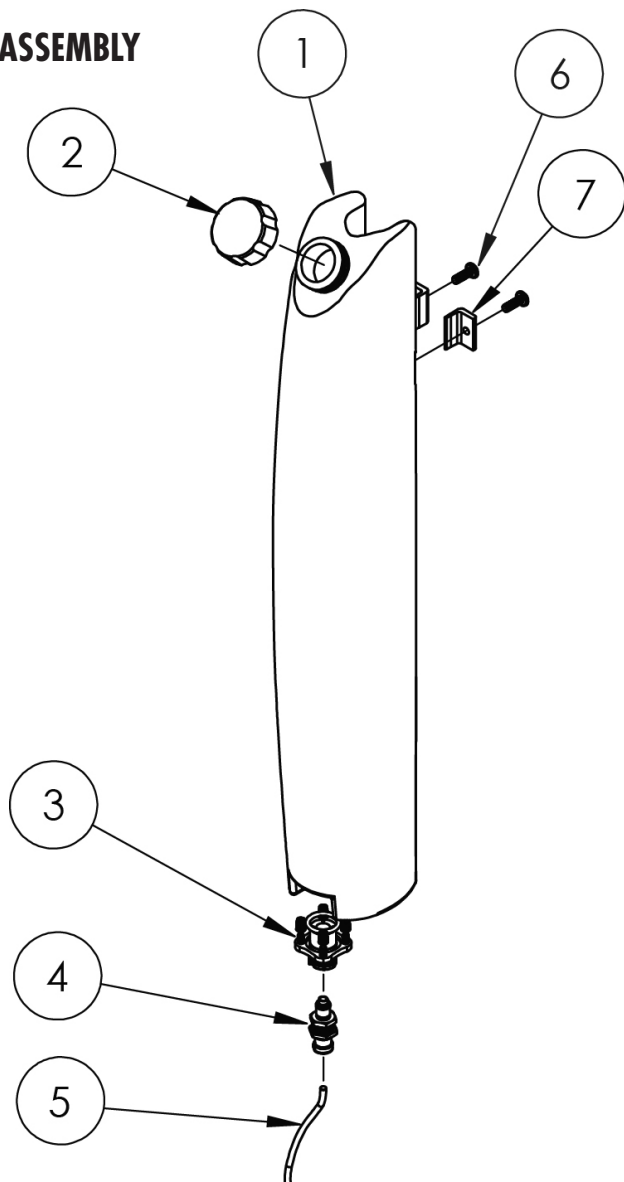


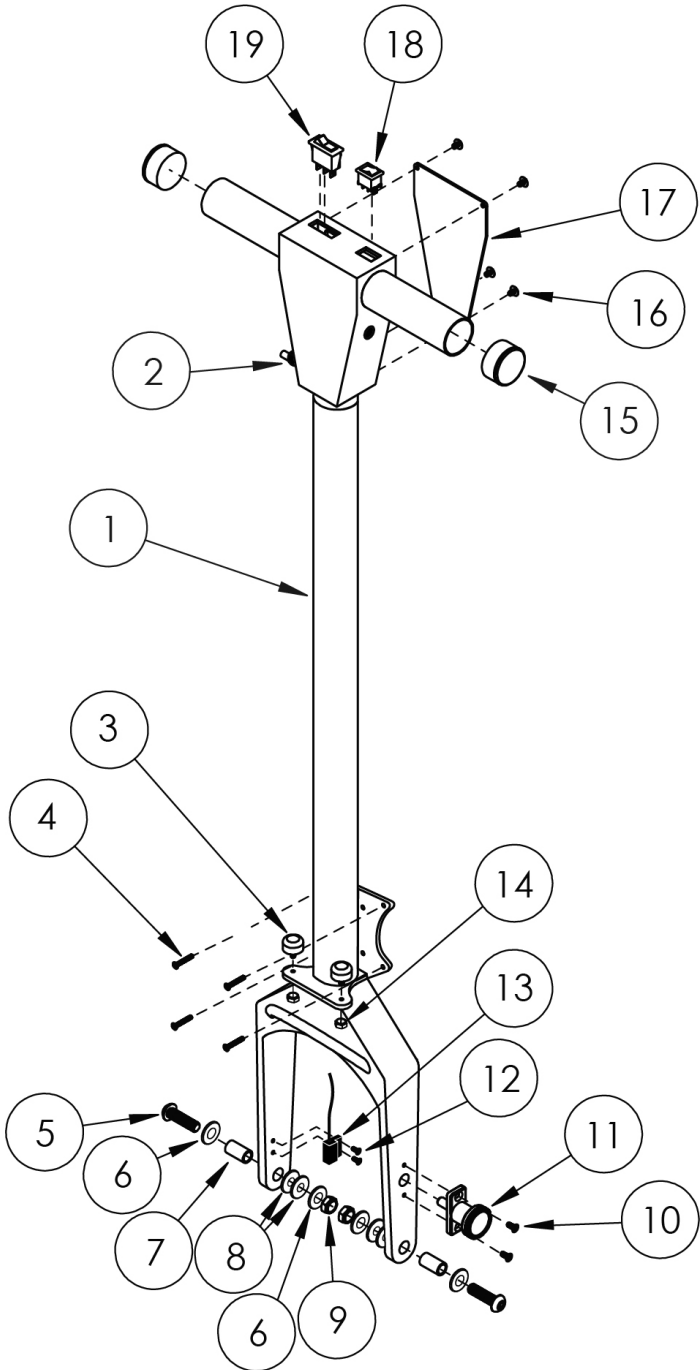
SOLUTION TANK ASSEMBLY



ITEM NO	PART NUMBER	DESCRIPTION	QTY.
1	01-221	SOLUTION TANK	1
2	01-222	FILL TANK	1
3	01-223	TANK FILTER ADAPTER ASSEMBLY	1
4	01-224	MALE QUICK-CONNECT	1
5	01-225	TANK SOLUTION HOSE	1
6	01-226	TANK TAB SCREW, 1/4"-20 X 3/4"	2
7	01-227	TANK TAB	2

PARTS

HANDLE / FRAME ASSEMBLY

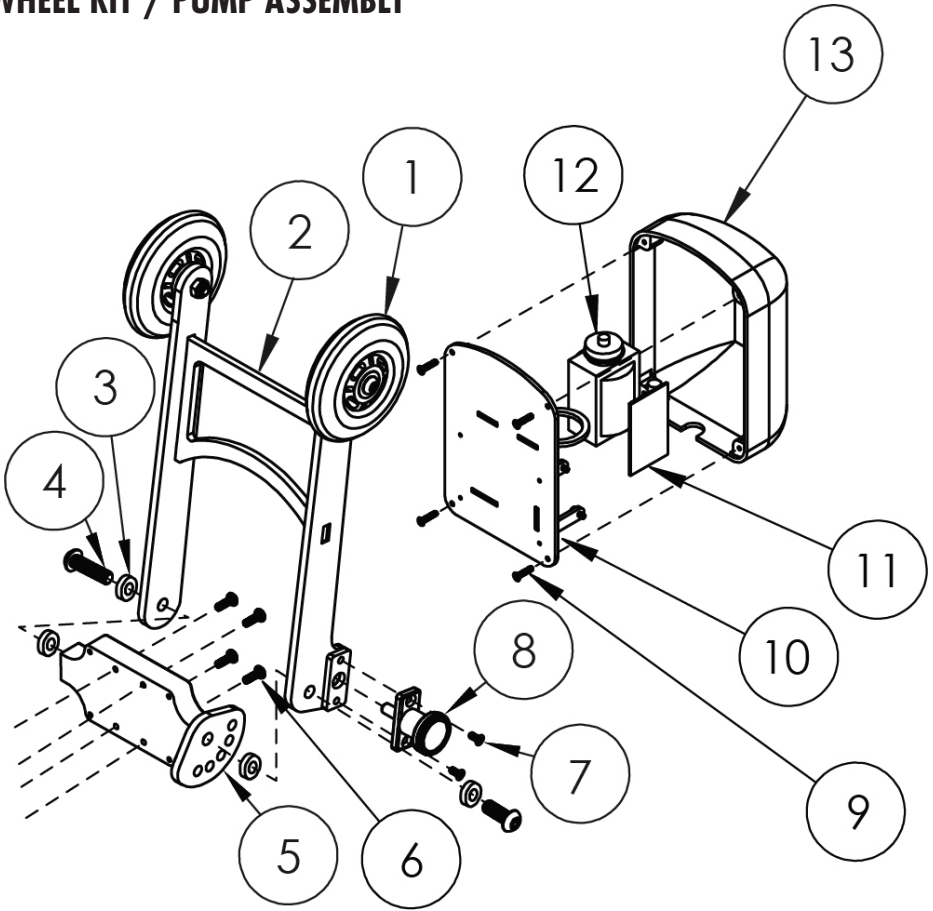


HANDLE / FRAME ASSEMBLY

ITEM NO	PART NUMBER	DESCRIPTION	QTY.
1	01-201	WELDED ALUMINUM HANDLE ASSEMBLY	1
2	01-202	15 AMP CIRCUIT BREAKER	1
3	01-203	RUBBER, TANK MOUNT STOP	2
4	01-204	PUMP MOUNT SCREW 6-32 X 7/8"	4
5	01-205	HANDLE FORK MOUNTING SCREW, 3/8-16 X 1-3/8"	2
6	01-206	HANDLE FORK MOUNTING WASHER 3/8"	4
7	01-207	HANDLE FORK SPACER	2
8	01-208	HANDLE FORK INNER MOUNTING WASHER 1/2"	4
9	01-209	HANDLE FORK MOUNTING NUT 3/8"	2
10	01-210	PULL PIN MOUNTING SCREW 10-24 X 5/8"	2
11	01-211	PULL PIN	1
12	01-212	REED SWITCH, MAGNET, SCREW, 6-32 X 5/8"	2
13	01-213	REED SWITCH, MAGNET	1
14	01-214	RUBBER, TANK MOUNT STOP, NUT, 8-32	2
15	01-215	PLASTIC CAPS, TUBE	2
16	01-216	TERMINAL BOX COVER SCREW, 8-32 X 3/16"	4
17	01-217	TERMINAL BOX COVER	1
18	01-218	SPRAYER SWITCH	1
19	01-219	POWER SWITCH	1

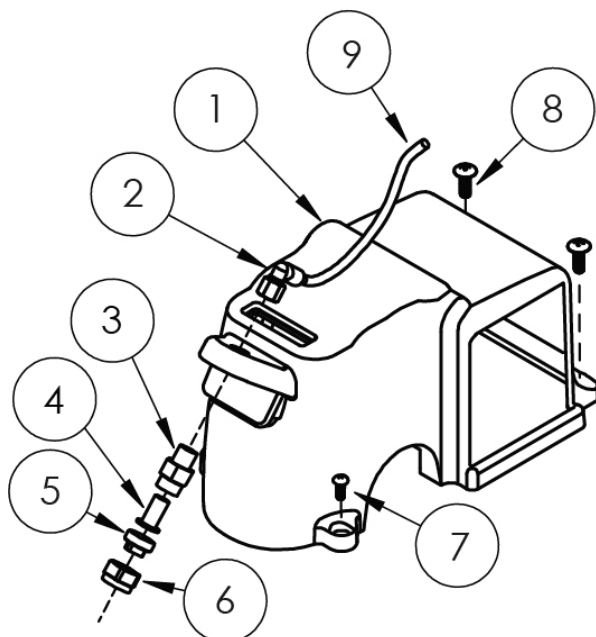
PARTS

WHEEL KIT / PUMP ASSEMBLY



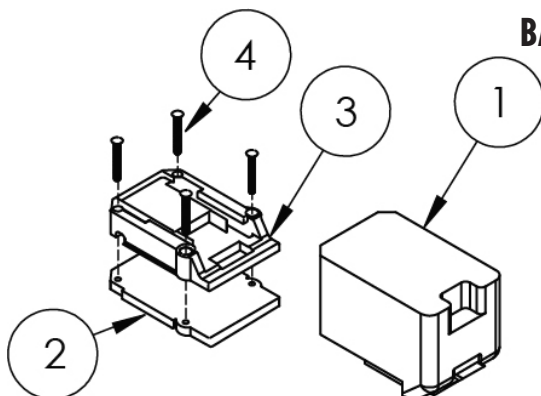
ITEM NO	PART NUMBER	DESCRIPTION	QTY.
1	02-221	WHEEL, 3"	2
2	02-222	ALUMINUM WHEEL KIT FRAME	1
3	02-223	WHEEL KIT WASHER, NYLON, 3/8" ID X 3/4" OD	4
4	02-224	WHEEL KIT MOUNTING SCREW, 3/8"-16 X 1"	2
5	02-225	WHEEL KIT MOUNT	1
6	02-226	WHEEL KIT MOUNT SCREW, 10-24 X 5/8"	4
7	02-227	PULL PIN MOUNTING SCREW, 10-24 X 5/8"	2
8	02-228	PULL PIN	1
9	02-229	PUMP COVER SCREW 6-32 X 5/8"	4
10	02-230	PUMP MOUNT	1
11	02-231	PUMP CIRCUIT BOARD	1
12	02-232	PUMP 58 PSI / 4 BAR	1
13	02-233	PUMP COVER	1

SPRAY NOZZLE & MOTOR COVER ASSEMBLY



ITEM NO	PART NUMBER	DESCRIPTION	QTY.
1	03-201	MOTOR COVER, SILVER	1
2	03-202	90° QUICK-CONNECT SPRAY FITTING	1
3	03-203	SPRAY JET BODY	1
4	03-204	CHECK VALVE STRAINER	1
5	03-205	SPRAY JET TIP	1
6	03-206	SPRAY JET CAP	1
7	03-207	FRONT MOTOR COVER MOUNTING SCREW, 1/4-20 X 5/8"	2
8	03-208	REAR MOTOR COVER MOUNTING SCREW, 1/4-20 X 1"	2
9	03-209	SPRAYER HOSE	1

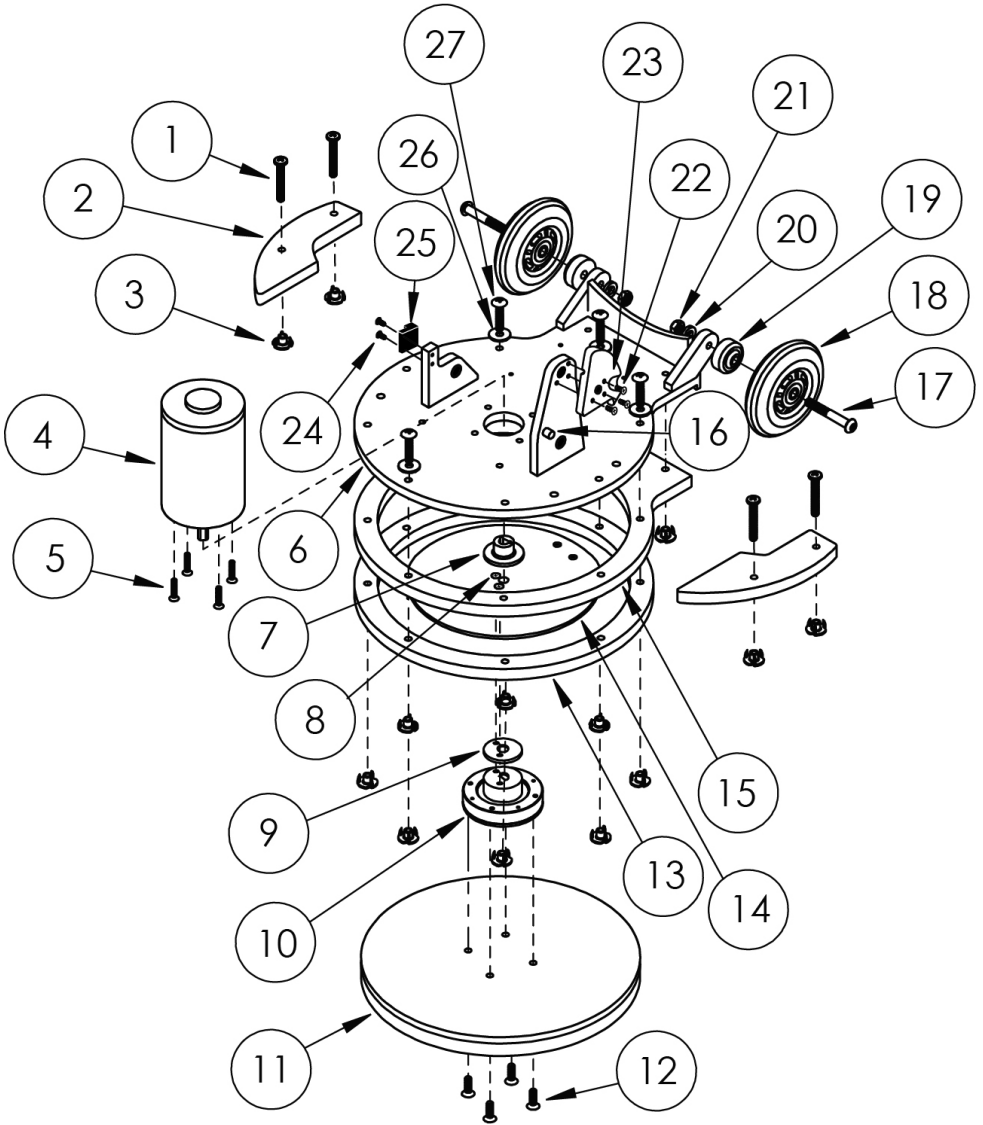
BATTERY ASSEMBLY



ITEM NO	PART NUMBER	DESCRIPTION	QTY.
1	03-211	BATTERY, 36V, 6AH	1
2	03-212	BATTERY FOAM BASE	1
3	03-213	BATTERY TRAY	1
4	03-214	BATTERY TRAY MOUNTING SCREW, 10-32 X 1-1/2"	4

PARTS

BASE & DRIVER PLATE ASSEMBLY



BASE & DRIVER PLATE ASSEMBLY

ITEM NO	PART NUMBER	DESCRIPTION	QTY.
1	03-221	WEIGHT KIT MOUNTING SCREW, 1/4-20 X 1-1/4"	4
2	03-222	WEIGHT PLATE	2
3	03-223	BUMPER THREADED INSERT	16
4	03-224	MOTOR, 36V / 330W, 3000 RPM, 59DB	1
5	03-225	MOTOR MOUNTING SCREW, 10-32 X 3/4"	4
6	03-226	BASE PLATE	1
7	03-227	SHAFT SUPPORT	1
8	03-228	BEARING ASSEMBLY MOUNTING SCREW, 1/4-20 X 3/4"	2
9	03-229	BEARING ASSEMBLY WASHER	1
10	03-230	BEARING ASSEMBLY	1
11	03-231	DRIVER ASSEMBLY	1
12	03-232	DRIVER MOUNTING SCREWS, 1/4-20 X 1"	4
13	03-233	LOWER BUMPER RING	1
14	03-234	COUNTER WEIGHT PLATE	1
15	03-235	UPPER BUMPER RING	1
16	03-236	EAR STOPPER PIN	1
17	03-237	WHEEL MOUNTING SCREW, 5/16" X 2-1/4"	2
18	03-238	WHEEL, 4"	2
19	03-239	WHEEL SPACER	2
20	03-240	WHEEL MOUNTING WASHER, 5/16" X 5/8"	2
21	03-241	WHEEL MOUNTING LOCK NUT, 5/16"	2
22	03-242	PULL PIN SLIDE MOUNTING SCREW, 10-24 X 3/8"	3
23	03-243	PULL PIN SLIDE	1
24	03-244	REED SWITCH, MAGNET MOUNTING SCREW, 6-32 X 3/8"	2
25	03-245	REED SWITCH, MAGNET	1
26	03-246	BASE MOUNTING WASHER, .281 OD, .734 X 1/16"	4
27	03-247	BASE MOUNTING SCREW, 1/4-20 X 1-1/2"	4

PARTS

COMPLETE ASSEMBLY

